

# WAHUDA TOOLS

## User Manual

Read this manual before using machine to avoid serious injury and damage

# 70100 OS-WHD

## Oscillating Spindle Sander



WAHUDA  
TOOLS



70100 OS DEMO



For technical support, email [techservices@wahudatools.com](mailto:techservices@wahudatools.com) or call at **877-568-8879**  
VER. 10.17.24

# TABLE OF CONTENTS

## INTRODUCTION

SECTION 1	Warranty	-----	3
SECTION 2	Product Specifications	-----	4
SECTION 3	Feature Identification	-----	5
SECTION 4	In The Box	-----	6
SECTION 5	General Safety	-----	7
SECTION 6	Product Safety	-----	10
SECTION 7	Parts Diagram & List	-----	14

## INTRODUCTION

This user manual is intended for use by anyone working with this machine. It should be kept available for immediate reference so that all operations can be performed with maximum efficiency and safety. Do not attempt to perform maintenance or operate this machine until you have read and understand the information contained in this manual. The drawings, illustrations, photographs, and specifications in this user manual represent your machine at time of print. However, changes may be made to your machine or this manual at any time with no obligation to WAHUDA.

# WARRANTY

## 2 - YEAR LIMITED WARRANTY

WAHUDA warrants its machinery to be free of defects in workmanship and materials for a period of two (2) years from the date of the original purchase by the original owner. This warranty applies to products sold in United States only. The warranty does not apply to any product used for professional or commercial production purposes nor for industrial or educational applications. Such cases are covered by our 1 year Limited Warranty with the Conditions and Exceptions.

Warranty does not include failures, breakage or defects deemed after inspection by an Authorized Service Center or our agent to have been directly or indirectly caused by or resulting from improper use, lack of or improper maintenance, misuse or abuse, negligence, accidents, damage in handling or transport, or normal wear and tear of any part or component. Examples are consumables such as inserts and knives or wear items like drive belts, bearings or brushes. Additionally, warranty is void if repairs or alterations are made to the machine by an unauthorized service center without the direct consent of WAHUDA.

To file a claim of warranty, call toll free 877-568-8879 or email [techservices@wahudatools.com](mailto:techservices@wahudatools.com) . Warranty applies to the original buyer only and cannot be transferred. Your machines date of purchase and serial number have already been registered with WAHUDA when shipped. If you purchased your machine from one of our authorized dealers, please go online at [www.wahudatools.com](http://www.wahudatools.com) and register your machine online. Thus, you will only need to provide your full name when contacting WAHUDA.

The defective units should be returned Freight prepaid to WAHUDA's Authorized Service Center for inspection. If the warranty claim is considered to be invalid due to exclusions listed above, WAHUDA will at your direction dispose of or return the product. In the event you choose to have the product returned you will be responsible for the handling and shipping cost of the return.

WAHUDA furnishes the above warranties in lieu of all other warranties, express or implied. WAHUDA shall not be liable for any special, indirect, incidental, punitive or consequential damages, including without limitation to loss of profits arising from or related to the warranty, the breach of any agreement or warranty, or the operation or use of its machinery, including without limitation damages arising from damage to fixtures, tools, equipment, parts or materials, direct or indirect loss caused by any other part, loss of revenue or profits, financing or interest charges, and claims by and third person, whether or not notice of such possible damages has been given to WAHUDA. Not Responsible for damages of any kind for any delay by or failure of WAHUDA to perform its obligations under this agreement or claims made a subject of a legal proceeding against WAHUDA more than one (1) year after such cause of action first arose.

The validity, construction and performance of this Warranty and any sale of machinery by WAHUDA shall be governed by the law of the State of Tennessee, without regard to conflicts of law's provisions of any jurisdiction. Any action related in any way to any alleged or actual offer, acceptance or sale by WAHUDA or any claim related to the performance of and agreement including without limitation this Warranty, shall take place in the federal or state courts in Shelby County, Tennessee.

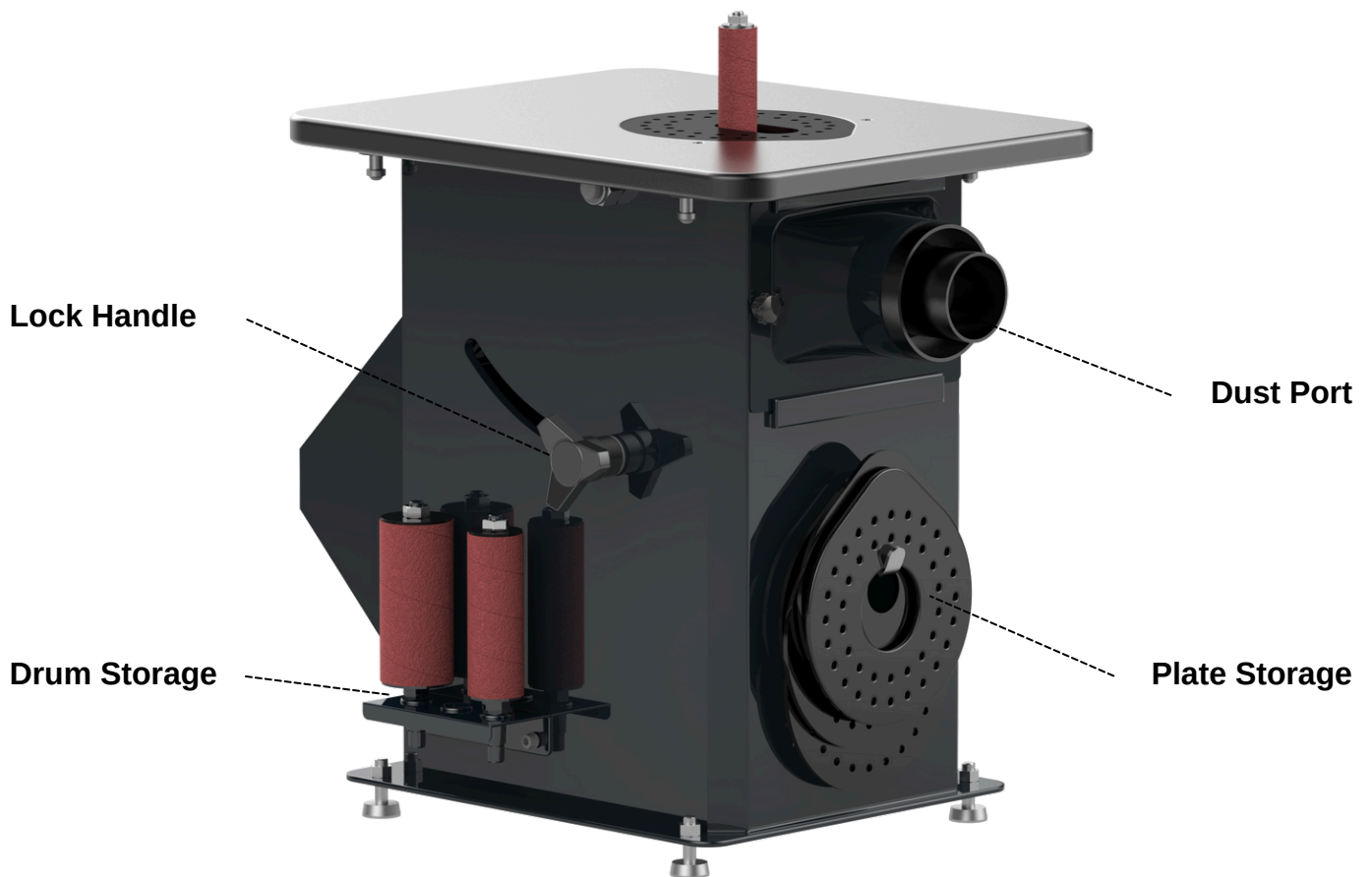
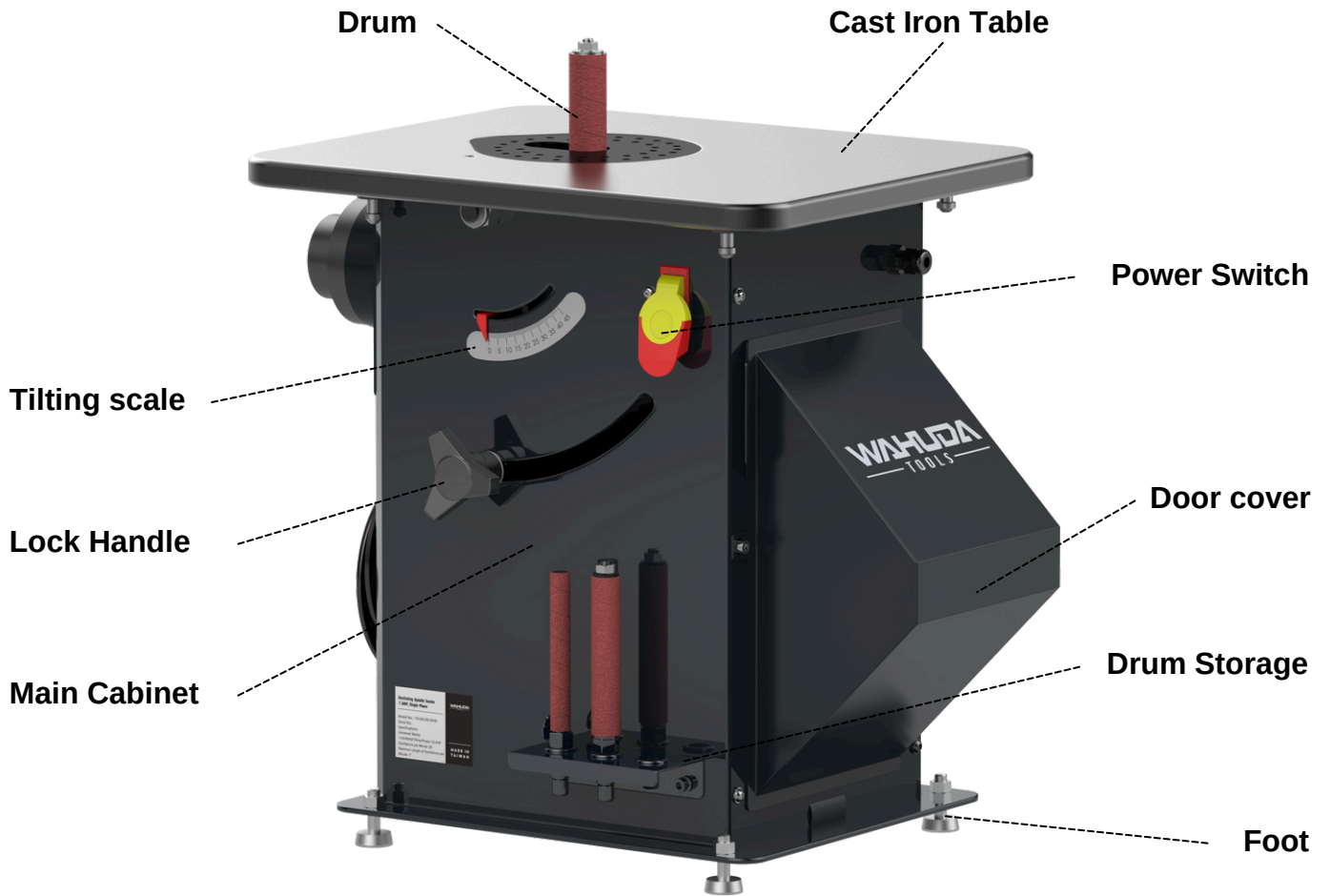
WAHUDA reserves the right to change the specifications of its machines without prior notice.

## PRODUCT SPECIFICATIONS

Motor power input Motor	110 V, 60 Hz, 1PH, AC, 7 Amp
Drum Sizes	1/2", 3/4", 1", 1-1/2", 2"
Grits of Sanding Sleeves, Included	#120 *
Grits of Sanding Sleeves, Optional	#60, #80 , #100,* #120, #150 , #180 *
Shipping Weight	98 lbs
Net Weight	87 lbs
Assembled Dimensions	24" L x 16" W x 21" H
Shipping Dimensions	27" L x 23" W x 18" H
20 amp circuit Recommended	

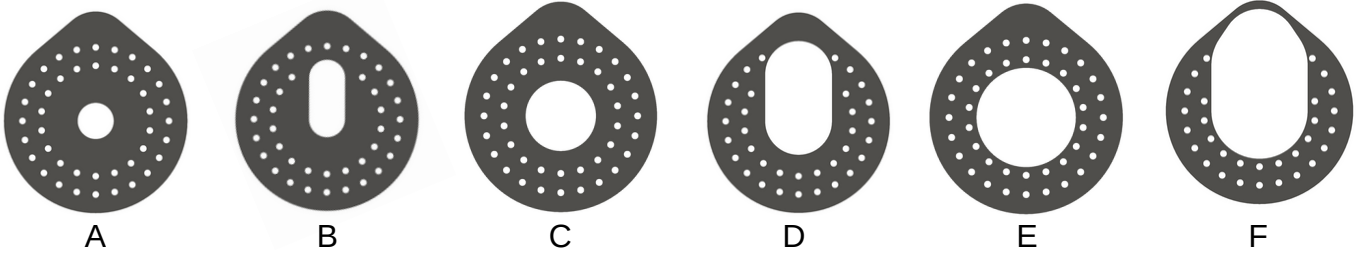
- Sanding sleeves come in as a set of all five sizes

# FEATURE IDENTIFICATION

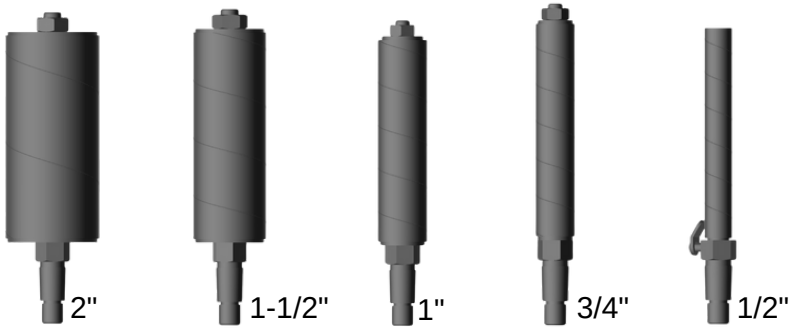


# IN THE BOX

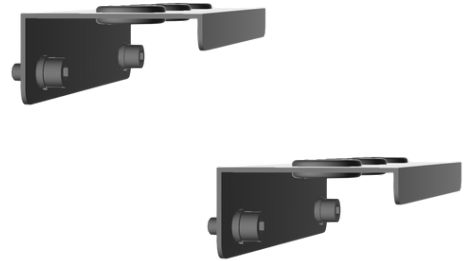
## Plate



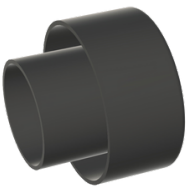
## Sanding drums w /#120 sanding sleeves installed



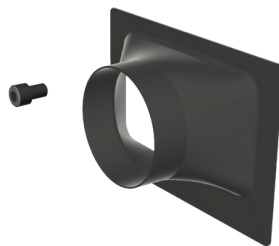
## Tool holder x 2



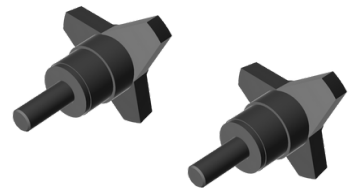
## Dust collector adapter



## Deflector Cover + Cap screw



## Handle x 2



## Wrench x 2 (14\*17)



## Foot pad



## Hook



# GENERAL SAFETY

**NOTE:** The **WARNING!** and **CAUTION!** symbols indicate a potentially hazardous situation which, if not avoided, COULD result in death or serious injury. READ THIS MANUAL completely before assembling and operating this machine.

**WARNING!** TO AVOID serious injury, death, or damage to the machine, please read, understand, and follow, all Safety and Operating Instructions before assembling and operating this machine. This manual is not totally comprehensive. It does not and cannot convey every possible safety and operational problem which may arise while using this machine. The manual will cover many of the basic and specific safety procedures needed in an industrial environment.

All federal and state laws, and any regulations having jurisdiction covering the safety requirements for use of this machine, take precedence over the statements in this manual. Users of this machine must adhere to all such regulations.

**WARNING!** Exposure to the dust created by power sanding, sawing, grinding, drilling and other construction activities may cause serious and permanent respiratory or other injury, including silicosis (a serious lung disease), cancer, and death. Avoid breathing the dust, and avoid prolonged contact with dust. The dust may contain chemicals known to the State of California to cause cancer, birth defects or other reproductive harm.

Some examples of these chemicals are:

- Lead from lead-based paints.
- Crystalline silica from bricks, cement and other masonry products.
- Arsenic and chromium from chemically-treated lumber.

Always operate tool in well ventilated area and provide for proper dust removal. Use a dust collection system along with an air filtration system whenever possible. Always use properly fitting NIOSH/OSHA approved respiratory protection appropriate for the dust exposure, and wash exposed areas with soap and water.

**WARNING!** ALWAYS wear eye protection. Any machine can throw debris into the eyes during operations, which could cause severe and permanent eye damage. Everyday eyeglasses are NOT safety glasses. ALWAYS wear Safety Goggles (that comply with ANSI standard Z87.1) when operating power tools.

**WARNING!** ALWAYS wear hearing protection. Plain cotton is not an acceptable protective device. Hearing equipment should comply with ANSI S3.19 Standards.

**WARNING!** ALWAYS wear a NIOSH/OSHA approved dust mask to prevent inhaling dangerous dust or airborne particles.

ALWAYS keep the work area clean, well lit, and organized. DO NOT work in an area that has slippery floor surfaces from debris, grease, and wax.

## GENERAL SAFETY (cont.)

**CAUTION!** ALWAYS unplug the machine from the electrical receptacle when making adjustments, changing parts or performing any maintenance.

AVOID ACCIDENTAL STARTING. Make sure that the power switch is in the "OFF" position before plugging in the power cord to the electrical receptacle.

**WARNING!** AVOID a dangerous working environment. DO NOT use electrical tools in a damp environment or expose them to rain or moisture.

**WARNING!** CHILDPROOF THE WORKSHOP AREA by removing switch keys, unplugging tools from the electrical receptacles, and using padlocks.

**CAUTION!** DO NOT use electrical tools in the presence of flammable liquids or gasses.

DO NOT FORCE the machine to perform an operation for which it was not designed. It will do a safer and higher quality job by only performing operations for which the machine was intended.

**WARNING!** DO NOT stand on a machine. Serious injury could result if it tips over or you accidentally contact any moving part.

DO NOT store anything above or near the machine.

**WARNING!** DO NOT operate any machine or tool if under the influence of drugs, alcohol, or medication.

EACH AND EVERY time, check for damaged parts prior to using any machine. Carefully check all guards to see that they operate properly, are not damaged, and perform their intended functions.

Check for alignment, binding or breakage of all moving parts. Any guard or other part that is damaged should be immediately repaired or replaced.

**WARNING!** Ground all machines. If any machine is supplied with a 3-prong plug, it must be plugged into a 3-contact electrical receptacle. The third prong is used to ground the tool and provide protection against accidental electric shock. DO NOT remove the third prong.

**CAUTION!** Keep visitors and children away from any machine. DO NOT permit people to be in the immediate work area, especially when the machine is operating.  
KEEP protective guards in place and in working order.



## GENERAL SAFETY (cont.)

**CAUTION!** MAINTAIN your balance. DO NOT extend yourself over the tool. Wear oil resistant rubber soled shoes. Keep floor clear of debris, grease, and wax.

MAINTAIN all machines with care. ALWAYS KEEP machine clean and in good working order. KEEP all blades and tool bits sharp.

NEVER leave a machine running, unattended. Turn the power switch to the OFF position. DO NOT leave the machine until it has come to a complete stop.

REMOVE ALL MAINTENANCE TOOLS from the immediate area prior to turning the machine ON.

**WARNING!** STAY ALERT, watch what you are doing, and use common sense when operating any machine. DO NOT operate any machine tool while tired or under the influence of drugs, alcohol, or medication. A moment of inattention while operating power tools may result in serious personal injury.

**WARNING!** USE ONLY recommended accessories. Use of incorrect or improper accessories could cause serious injury to the operator and cause damage to the machine. If in doubt, DO NOT use it.

THE USE of extension cords is not recommended for 230V equipment. It is better to arrange the placement of your equipment and the installed wiring to eliminate the need for an extension cord. If an extension cord is necessary, refer to the chart in the Grounding Instructions section to determine the minimum gauge for the extension cord. The extension cord must also contain a ground wire and plug pin.

**CAUTION!** Wear proper clothing, DO NOT wear loose clothing, gloves, neckties, or jewelry. These items can get caught in the machine during operations and pull the operator into the moving parts. Users must wear a protective cover on their hair, if the hair is long, to prevent it from contacting any moving parts.

SAVE these instructions and refer to them frequently and use them to instruct other users.

**NOTE:** Information regarding the safe and proper operation of this tool is also available from the following sources:

Power Tool Institute  
1300 Summer Avenue  
Cleveland, OH 44115-2851  
[www.powertoolinstitute.org](http://www.powertoolinstitute.org)

American National Standards Institute  
23 West 43rd Street, 4th Floor  
New York, NY 10036  
[www.ansi.org](http://www.ansi.org)

National Safety Council  
1121 Spring Lake Drive  
Itasca, IL 60143-3201

ANSI 01.1 Safety Requirements for  
Woodworking Machines and the  
U.S. Department of Labor Relations  
[www.osha.gov](http://www.osha.gov)

# PRODUCT SAFETY

1. Serious personal injury may occur if normal safety precautions are overlooked or ignored. Accidents are frequently caused by lack of familiarity or failure to pay attention. Obtain advice from supervisor, instructor, or another qualified individual who is familiar with this machine and its operations.

Every work area is different. Always consider safety first, as it applies to your work area. Use this

2. machine with respect and caution. Failure to do so could result in serious personal injury and damage to the machine.

Prevent electrical shock. Follow all electrical and safety codes, including the National Electrical Code

3. (NEC) and the Occupational Safety and Health Regulations (OSHA). All electrical connections and wiring should be made by qualified personnel only

**WARNING!** TO REDUCE the risk of electrical shock. DO NOT use this machine outdoors. DO NOT

4. expose to rain. Store indoors in a dry area.

STOP using this machine, if at any time you experience difficulties in performing any operation.

5. Contact your supervisor, instructor or machine service center immediately.

Safety decals are on this machine to warn and direct you to how to protector yourself or visitors from

6. personal injury. These decals MUST be maintained so that they are legible.

DO NOT leave the unit plugged into the electrical outlet. Unplug the unit from the outlet when not in

7. use and before servicing, performing maintenance tasks, or cleaning.

**WARNING!** DO NOT handle the plug or machine with wet hands

8. USE only accessories as described in this manual and recommended by WAHUDA.

9. DO NOT pull the jointer by the power cord. NEVER allow the power cord to come in contact with

10. sharp edges, hot surfaces, oil or grease.

ALWAYS turn the power switch "OFF" before unplugging the machine. DO NOT unplug the machine

11. by pulling on the power cord. ALWAYS grasp the plug, not the cord.

REPLACE a damaged cord immediately. DO NOT use a damaged cord or plug.

12. DO NOT use the machine as a toy. DO NOT use near or around children.

13. ENSURE that the machine sits firmly before using. If the machine wobbles or is unstable, correct the

14. problem by attaching to a bench top prior to operation.

This machine is designed to process wood ONLY.

15. INSPECT all stock before beginning operations ensuring that there are no foreign objects embedded

16. in the wood, loose knots, or knots that may become loose during operation.

**WARNING!** DO NOT attempt to remove jams until power is disconnected and all moving parts have

17. come to a complete stop.

## PRODUCT SAFETY (cont.)

18. MAKE SURE that there is adequate operating space before turning machine on.
19. If the work you are doing is liable to generate flying grit, dust or chips, wear the appropriate safety clothing, protective eye wear (Such as goggles or face mask).
20. If the work operation appears to be excessively noisy, wear hearing protection.
21. If you have long hair, wearing a cap, safety helmet, hairnet, or even a sweatband, will minimize the possibility of your hair being caught up in the rotating parts of the tool.
22. Snag hazards, such as rings, watches, etc, should also be removed.  
Consideration to wearing non-slip footwear should be given.
23. DO NOT work with cutting tools of any description if you are tired, your attention is not focused, or you are being distracted. A deep cut, lost finger, or worse, is not worth it.
24. ALWAYS USE COMMON SENSE when operating any machinery.

# GROUNDING INSTRUCTIONS

**WARNING!** This machine **MUST BE GROUNDED** while in use to protect the operator from electric shock. In the event of a malfunction or breakdown, **GROUNDING** provides the path of least resistance for electric current and reduces the risk of electric shock. The plug **MUST** be plugged into a matching electrical receptacle that is properly installed and grounded in accordance with **ALL** local codes and ordinances.

If a plug is provided with your machine **DO NOT** modify the plug. If it will not fit your electrical receptacle, have a qualified electrician install the proper connections to meet all electrical codes local and state. **ALL** connections must also adhere to **NEC** and **OSHA** mandates.

**WARNING!** **IMPROPER ELECTRICAL CONNECTION** of the equipment-grounding conductor can result in risk of electric shock. The conductor with the green insulation (with or without yellow stripes) is the equipment-grounding conductor. **DO NOT** connect the equipment-grounding conductor to a live terminal if repair or replacement of the electric cord or plug is necessary.

Check with a qualified electrician or service personnel if you do not completely understand the grounding instructions, or if you are not sure the tool is properly grounded.

**WARNING!** Electrocutation or fire could result if this machine is not grounded properly or if the electrical configuration does not comply with local and state electrical codes.

**MAKE CERTAIN** the machine is disconnected from power source before starting any electrical work. **MAKE SURE** the circuit breaker does not exceed the rating of the plug and receptacle.

The motor supplied with your machine is a 115 volt, 60 hertz, single phase motor. Never connect the green or ground wire to a live terminal. A machine with a 115 volt plug should only be connected to an outlet having the same configuration as the plug.

**WARNING!** To reduce the risk of fire or electrical shock, use the proper gauge of extension cord. When using an extension cord, be sure to use one heavy enough to carry the current your machine will draw.

The smaller the gauge-number, the larger the diameter of the extension cord is. If in doubt of the proper size of an extension cord, use a shorter and thicker cord. An undersized cord will cause a drop in line voltage resulting in a loss of power and overheating.

**CAUTION!** **USE ONLY** a 3-wire extension cord that has a 3-prong grounding plug and a 3-pole receptacle that accepts the machine's plug. If you are using an extension cord outdoors, be sure it is marked with the suffix "W-A" ("W" in Canada) to indicate that it is acceptable for outdoor use.

## GROUNDING INSTRUCTIONS (cont.)

Make certain the extension cord is properly sized, and in good electrical condition. Always replace a worn or damaged extension cord immediately or have it repaired by a qualified person before using it.

Protect your extension cords from sharp objects, excessive heat, and damp or wet areas.

MINIMUM RECOMMENDED GAUGE FOR EXTENSION CORDS (AWG)				
115 VOLT OPERATION ONLY				
	25' LONG	50' LONG	100' LONG	150' LONG
0 to 6 Amps	18 AWG	16 AWG	16 AWG	14 AWG
6 to 10 Amps	18 AWG	18 AWG	14 AWG	12 AWG
10 to 12 Amps	16 AWG	16 AWG	14 AWG	12 AWG

## UNPACKING & INVENTORY

Check shipping carton and machine for damage before unpacking. Carefully remove packaging materials, parts and machine from shipping carton. Always check for and remove protective shipping materials around motors and moving parts. Lay out all parts on a clean work surface.

Please keep all packaging materials until the machine is properly running and all items have been accounted for. Also, please dispose of all packaging materials responsibly.

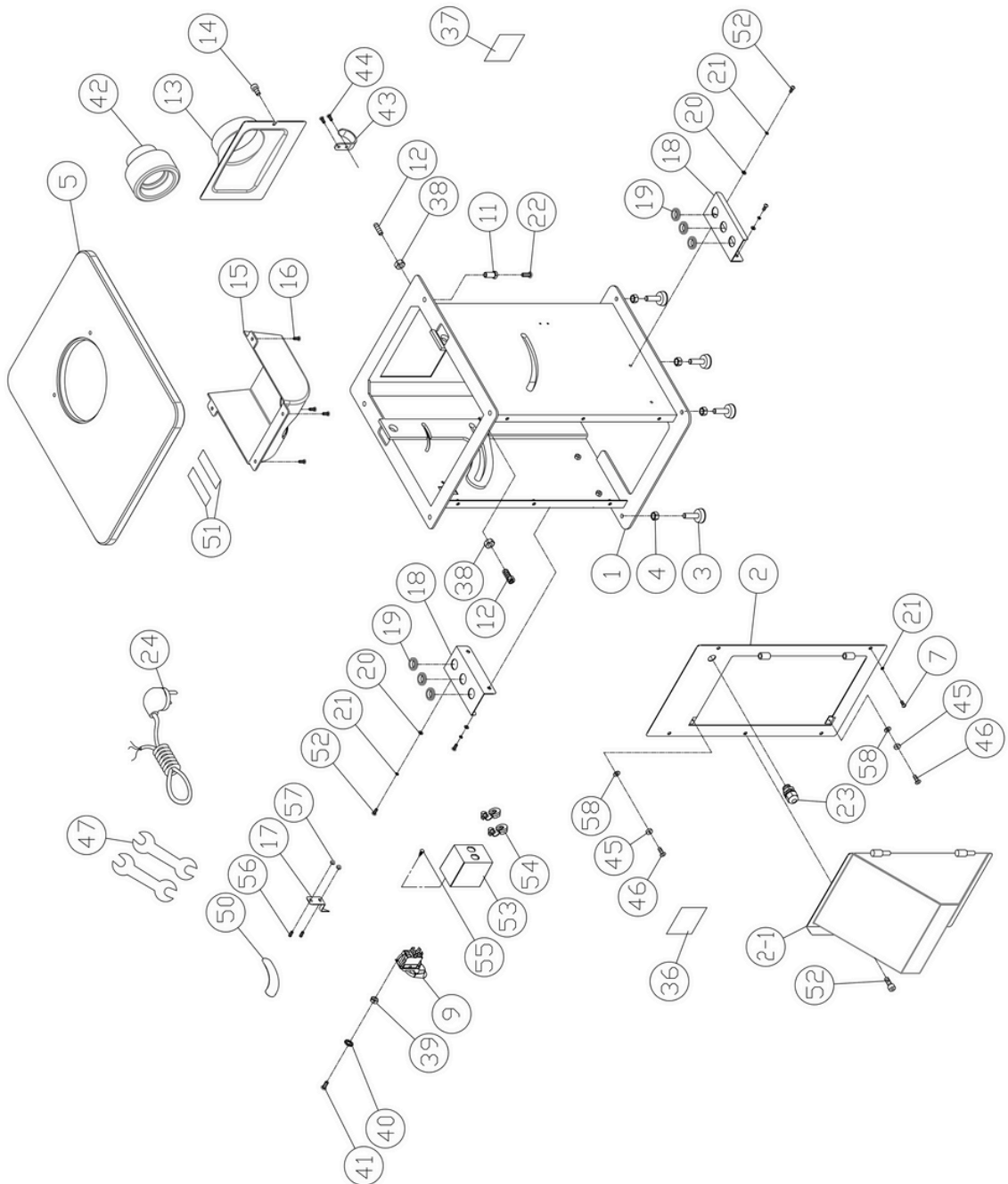
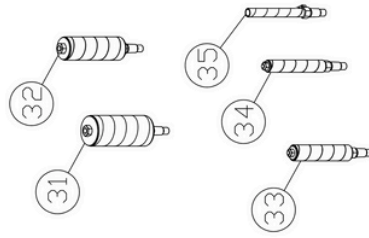
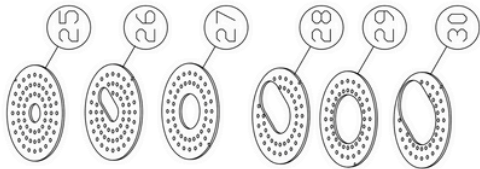
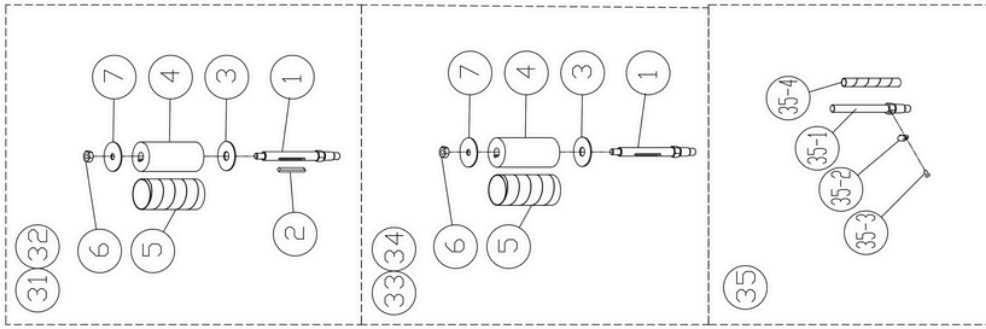
**NOTE: Some parts pictured may already be installed on your machine at the factory.**

Go through the entire manual before contacting WAHUDA.

Compare the items to inventory figures and verify that all items are accounted for. If any parts are missing, do not attempt to power on the machine.

**For missing parts, or shipping damage, contact WAHUDA at [techservices@wahudatools.com](mailto:techservices@wahudatools.com) or call 877-568-8879.**

# PARTS DIAGRAM



# PARTS LIST

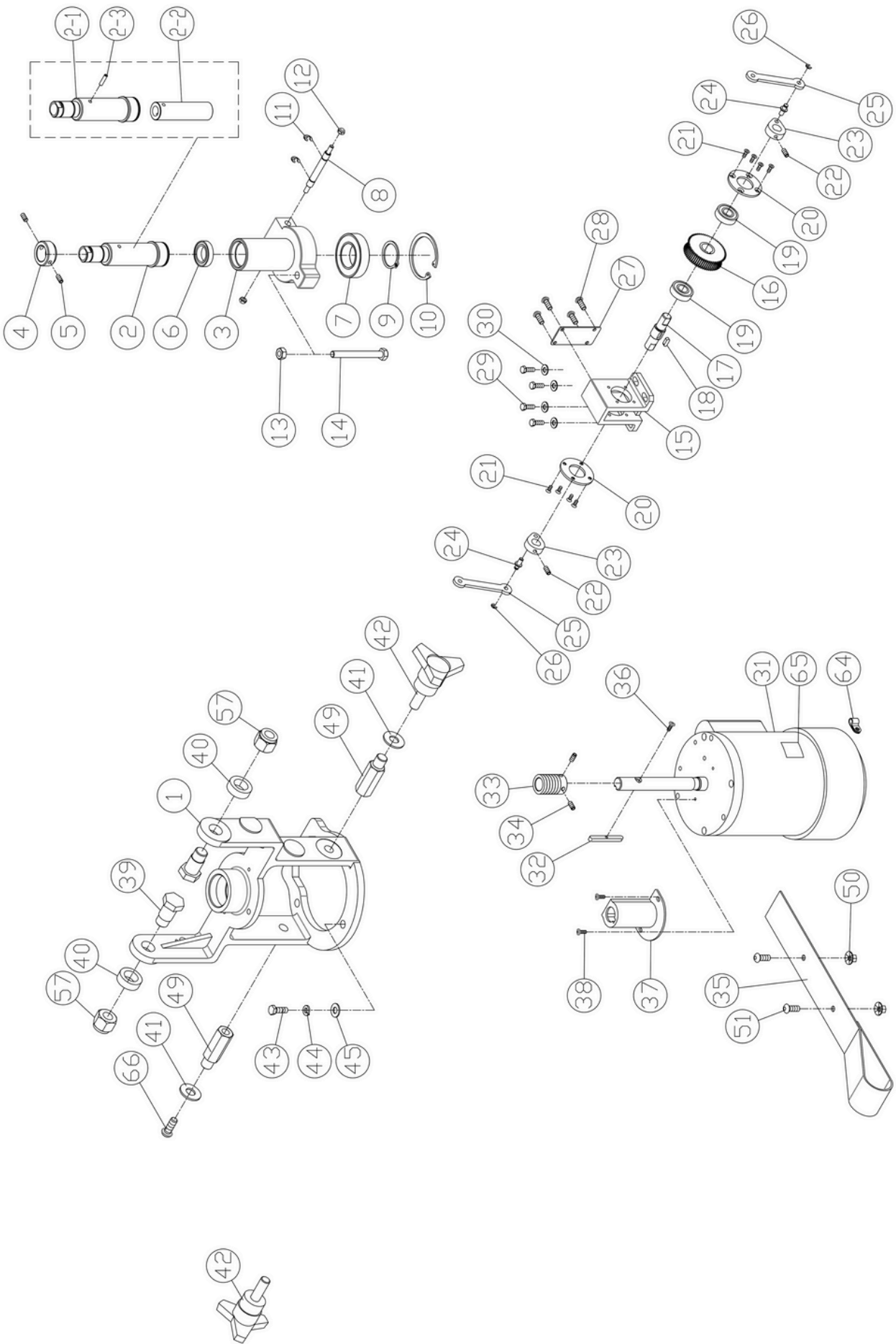
PART NO.	DESCRIPTION	SPECIFICATION	QTY
70100 – A01	Machine Body		1
70100 – A02	Cover-Front		1
70100 – A02-1	Door Cover		1
70100 – A03	Foot Pad	3/8"	4
70100 – A04	Nut	3/8"	4
70100 – A05	Work Table		1
70100 – A07	Button Haed Screw	M6x10	4
70100 – A09	Switch		1
70100 – A11	Adj. Screw		4
70100 – A12	Set Screw	M8x40	2
70100 – A13	Deflector Cover		1
70100 – A14	Cap Screw	1/4"-20UNCx3/8"	1
70100 – A15	Dust Chute		1
70100 – A16	Button Haed Screw	M5x8	4
70100 – A17	Indicator		1
70100 – A18	Tool Holder -L		2
70100 – A19	Grommet		6
70100 – A20	Flat Washer	M6	4
70100 – A21	Spring Washer	M6	8
70100 – A22	Button Haed Screw	M6x35	4
70100 – A23	Strain Relief		1
70100 – A24	Power Wire		1
70100 – A25	Plate -1	ψ32.5	1
70100 – A26	Plate Oval -1	ψ32.5 Oval	1
70100 – A27	Plate -2		1
70100 – A28	Plate Oval -2		1
70100 – A29	Plate -3		1
70100 – A30	Plate Oval -3		1
70100 – A31	Sanding Drum	2"	1
70100 – A31-1	Spindle	2"	1
70100 – A31-2	Key	5x5x40	1
70100 – A31-3	Washer		1
70100 – A31-4	Rubber Sleeve	2"	1
70100 – A31-5	Sanding Sleeve	2"	1
70100 – A31-6	Nut	M10-Left	1
70100 – A31-7	Washer	2"	1
70100 – A32	Sanding Drum	1-1/2"	1
70100 – A32-1	Spindle	2"	1
70100 – A32-2	Key	5x5x40	1
70100 – A32-3	Washer	1-1/2"	1
70100 – A32-4	Rubber Sleeve	1-1/2"	1
70100 – A32-5	Sanding Sleeve	1-1/2"	1
70100 – A32-6	Nut	M10x1.5-Left	1
70100 – A32-7	Washer	1-1/2"	1
70100 – A33	Sanding Drum	1"	1

# PARTS LIST

PART NO.	DESCRIPTION	SPECIFICATION	QTY
70100 – A33-1	Spindle	1"	1
70100 – A33-3	Washer	1"	1
70100 – A33-4	Rubber Sleeve	1"	1
70100 – A33-5	Sanding Sleeve	1"	1
70100 – A33-6	Nut	M8-Left	1
70100 – A33-7	Washer	M8-D25	1
70100 – A34	Sanding Drum	3/4"	1
70100 – A34-1	Spindle	1"	1
70100 – A34-3	Washer	3/4"	1
70100 – A34-4	Rubber Sleeve	3/4"	1
70100 – A34-5	Sanding Sleeve	3/4"	1
70100 – A34-6	Nut	M8-Left	1
70100 – A34-7	Washer	M8-D18	1
70100 – A35	Sanding Drum	1/2"	1
70100 – A35-1	Spindle	1/2"	1
70100 – A35-2	Press Plate		1
70100 – A35-3	Pan Screw	M5x10	1
70100 – A35-4	Sanding Sleeve	1/2"	1
70100 – A36	Logo Label		1
70100 – A37	Label		1
70100 – A38	Nut	M8	2
70100 – A39	Nut	M5	1
70100 – A40	External Tooth Washer	M5	1
70100 – A41	Button Head Screw	M5x12	1
70100 – A42	Dust Collector Adapter		1
70100 – A43	Hook		1
70100 – A44	Big Pan Screw	M4x6	2
70100 – A45	Magnet		2
70100 – A46	Flat Head Screw	M3x6	2
70100 – A47	Wrench	14*17	2
70100 – A50	Label		1
70100 – A51	Rubber Sheet		2
70100 – A52	Cap Screw	M6x12	5
70100 – A53	Switch Cover		1
70100 – A54	Strain Relief	SR-6P3	1
70100 – A55	Big Pan Screw		2
70100 – A56	Set Screw	M4x12	2
70100 – A57	Nylon Nut	M4	2
70100 – A58	Flat Washer	M3	2



# PARTS DIAGRAM



# PARTS LIST

PART NO.	DESCRIPTION	SPECIFICATION	QTY
70100 – B01	Motor Base		1
70100 – B02	Spindle Bushing Assy		1
70100 – B02-1	Spindle		1
70100 – B02-2	Spindle Bushing		1
70100 – B02-3	Pin	ψ4*28	1
70100 – B03	Spindle Base		1
70100 – B04	Bearing Cover		1
70100 – B05	Set Screw	M6*6	2
70100 – B06	Bearing	6804LLB	1
70100 – B07	Bearing	6006LLB	1
70100 – B08	Connecting Rod Axle		1
70100 – B09	C-ring	S-30	1
70100 – B10	Inner C-ring	C-55	1
70100 – B11	E-ring	ETW-6	2
70100 – B12	Nylon Nut	M5	2
70100 – B13	Nut	M8	1
70100 – B14	Hex Screw	M8x75	1
70100 – B15	Worm Wheel Frame		1
70100 – B16	Worm Wheel		1
70100 – B17	Worm Wheel Spindle		1
70100 – B18	Key	4x4x12	1
70100 – B19	Bearing	6001	2
70100 – B20	Bearing Gland		2
70100 – B21	Flat Head Cap Screw	M4x6	8
70100 – B22	Set Screw	M5*6	2
70100 – B23	Crank		2
70100 – B24	Crank Axle		2
70100 – B25	Connection Rod		2
70100 – B26	E-ring	ETW-4	2
70100 – B27	Cover		1
70100 – B28	Pan Screw	M4x6	4
70100 – B29	Hex Screw	M6x16	4
70100 – B30	Flat Washer	M6	4
70100 – B31	Moter	1/2HP	1
70100 – B32	Key	5x5x50	1
70100 – B33	Worm Gear		1
70100 – B34	Set Screw	M6x6	2
70100 – B35	Nylon Webbing		1
70100 – B36	Pan Screw	M4x12	1
70100 – B37	Cover for Worm Gear		1
70100 – B38	Pan Screw	M4x8	2
70100 – B39	Screw	M16	2
70100 – B40	Spacer		2
70100 – B41	Flat Washer	M12	2
70100 – B42	Handle	M12	2

# PARTS LIST

<b>PART NO.</b>	<b>DESCRIPTION</b>	<b>SPECIFICATION</b>	<b>QTY</b>
70300 – B43	Hex Screw	M8x25	3
70300 – B44	Spring Washer	M8	3
70300 – B45	Flat Washer	M8	3
70200 – B49	Fixed Rod		2
70200 – B50	Nut		2
70200 – B51	Button Head Screw		2
70200 – B57	Nylon Nut	M16	2
70100 – B64	Wire Fixing Piece	3/8"	1
70100 – B65	Motor Label		1
70100 – B66	Cap Screw	M12x25	1